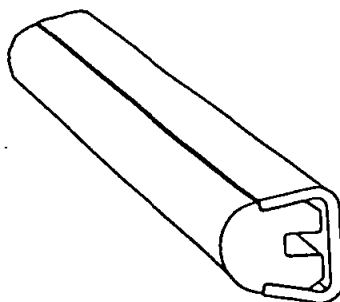


VALUENG.012T

TRADEMARK

APPLICANT: VALU ENGINEERING, INC.
P.O. ADDRESS: 1 Morgan, Irvine, CA 92718
FIRST USE ANYWHERE: September 23, 1981
FIRST USE IN COMMERCE: September 23, 1981
GOODS: CONVEYOR GUIDE RAILS



TRADEMARK APPLICATION

EXPRESS MAIL NO. RB92605237XUS

CASE NO: VALUENG.012T
APPLICANT: VALU ENGINEERING, INC.

CERTIFICATE IS ATTACHED TO THE DRAWING OF THE MARK OF THE ABOVE-IDENTIFIED APPLICATION.

DATE OF DEPOSIT: February 25, 1993

I hereby certify that this paper or fee is being deposited with the United States Postal Service "Express Mail Post Office to Addressee" service under 37 C.F.R. 1.10 on the date indicated above and is addressed to the Commissioner of Patents and Trademarks, Washington, D.C. 20231

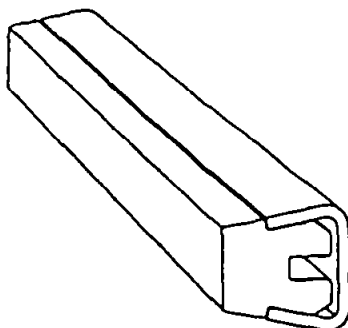

DON KING

000577

VALUENG.013T

TRADEMARK

APPLICANT: VALU ENGINEERING, INC.
P.O. ADDRESS: 1 Morgan, Irvine, CA 92718
FIRST USE ANYWHERE: June 28, 1982
FIRST USE IN COMMERCE: June 28, 1982
GOODS: CONVEYOR GUIDE RAILS

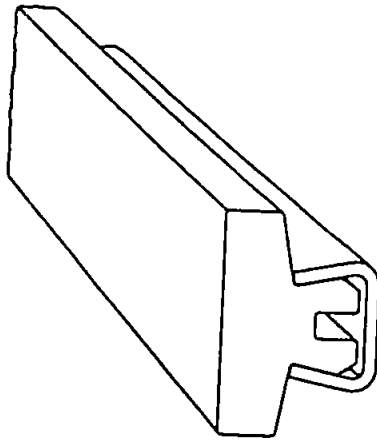


000063

VALUENG.014T

TRADEMARK

APPLICANT: VALU ENGINEERING, INC.
P.O. ADDRESS: 1 Morgan, Irvine, CA 92718
FIRST USE ANYWHERE: August 12, 1985
FIRST USE IN COMMERCE: August 12, 1985
GOODS: CONVEYOR GUIDE RAILS



000319