

[54] FAN

[75] Inventors: Michael C. Coup; Richard E. Ten Eyck; Gary P. Israel, all of Wichita; Glen W. Ediger, Newton; J. Michael Conkling, Pretty Prairie; Allan J. Hastings, Herington, all of Kans.

[73] Assignee: Vornado Air Circulation Systems, Inc., Wichita, Kans.

[**] Term: 14 Years

[21] Appl. No.: 275,559

[22] Filed: Nov. 23, 1988

[52] U.S. Cl. D23/382

[58] Field of Search D23/382, 370; 415/208.1, 211.2, 209.2, 211.1, 213.1; 416/247, 246, 216

[56] References Cited

U.S. PATENT DOCUMENTS

D. 152,758 2/1949 Ullman D23/382

D. 300,776 4/1989 Fu et al. D23/370
2,000,386 5/1935 Haynes 416/246
2,100,994 11/1937 Cohen 416/247
2,687,844 8/1954 Woodward 415/211.1

FOREIGN PATENT DOCUMENTS

1024669 2/1958 Fed. Rep. of Germany 416/216
220576 11/1962 Japan D23/370

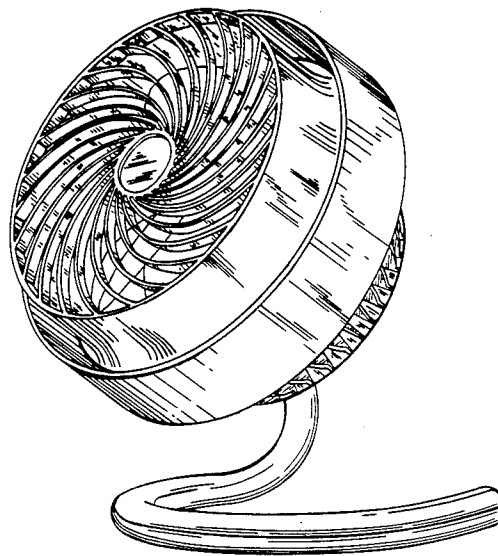
Primary Examiner—James M. Gandy
Assistant Examiner—Lisa Lichtenstein
Attorney, Agent, or Firm—Edward L. Brown, Jr.

[57] CLAIM

The ornamental design for a fan, as shown.

DESCRIPTION

FIG. 1 is a cross-sectional view of a fan taken along line 1—1 in FIG. 2, showing the support stand in elevation; FIG. 2 is a front elevation view thereof taken along line 2—2 in FIG. 1; FIG. 3 is a front and right side perspective view thereof; and FIG. 4 is a rear and left side perspective view thereof.



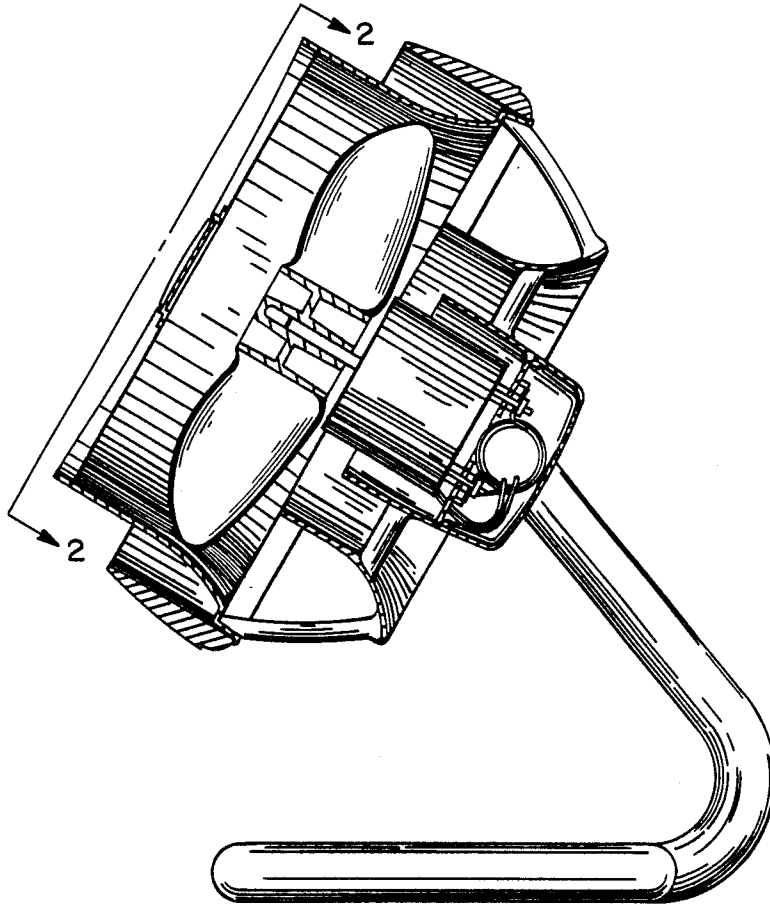


FIG 1

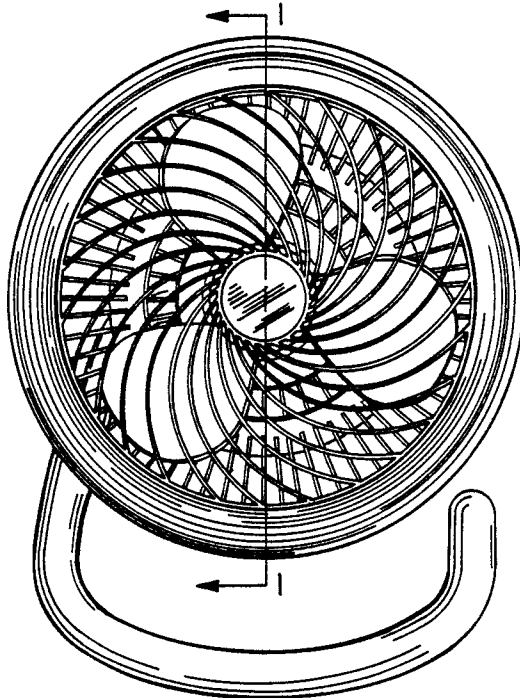


FIG 2

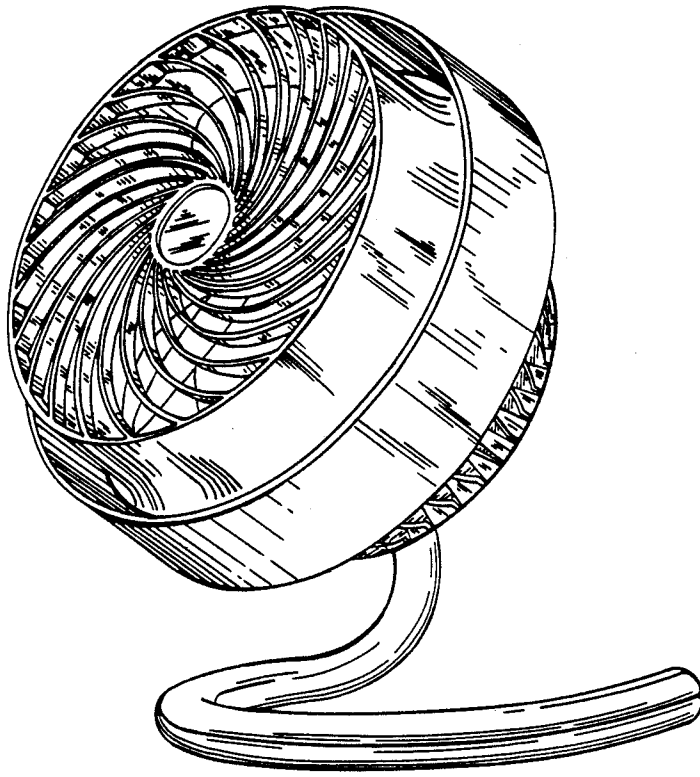


FIG 3

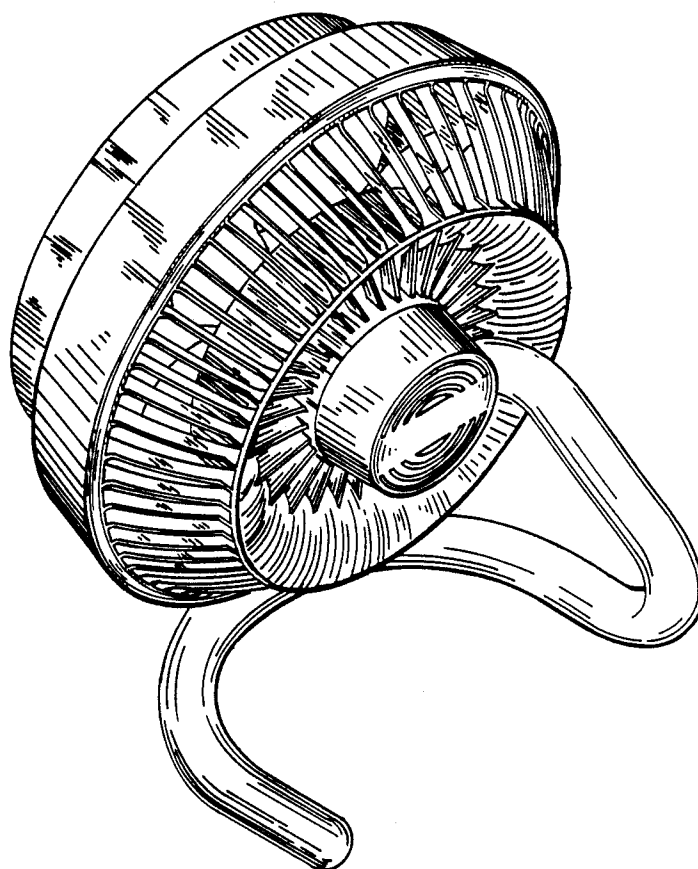


FIG 4